

MDI 18/8 M4 0,25kW (300717000)

GENERAL DATA



MEDIUM PRESSURE FAN WITH FORWARD IMPELLER AND IN STAINLESS STEEL CONSTRUCTION

MANUFACTURING FEATURES:

- Welded stainless steel AISI 304 housing.
- Stainless steel simple inlet forward curved impeller.
- Standard asynchronous squirrel-cage motor with IP-55 protection and Class F insulation. Manufactured with standard voltages: 230V 50Hz for single phase motors, 230/400V 50Hz for three phase motors.

- Available positions (to be indicated in case of order): LG270, LG0, LG45, LG90, LG135, LG180, LG225, LG315, RD0, RD45, RD90, RD135, RD180, RD225, RD270, RD315.
- The indicated codes correspond to the model in position LG270.

APPLICATIONS:

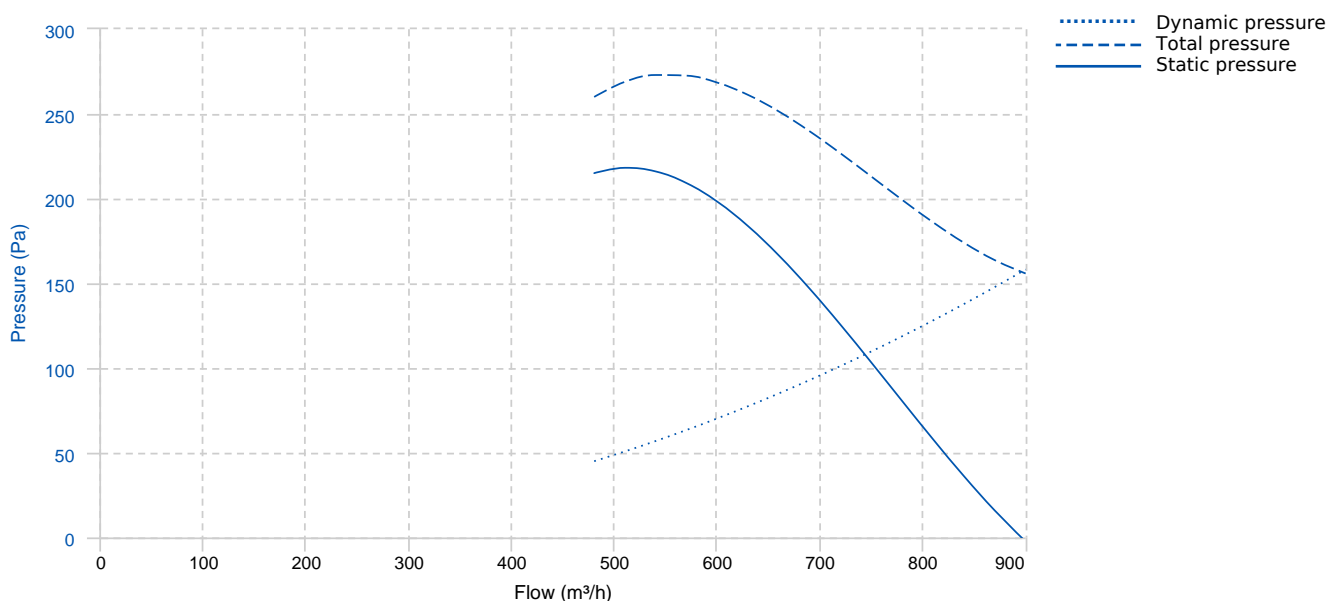
Designed for inline installation, they are suitable for:

- Industrial applications, extraction or injection of air.
- Cooling of machines and parts.
- Clean air transport.
- Corrosive air transport.
- Maximum working temperature: carried air: 130°C, ambient: 1ph 50°C, 3ph 60°C.

UNDER REQUEST:

- 60Hz fans and special voltages.
- 2 speed motors (three phase motors).

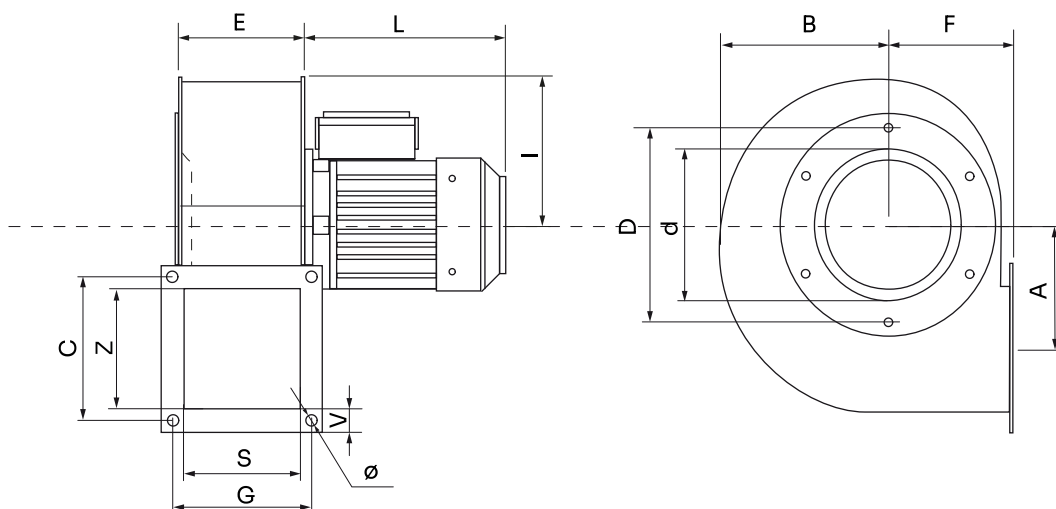
PERFORMANCE CURVE



TECHNICAL DATA

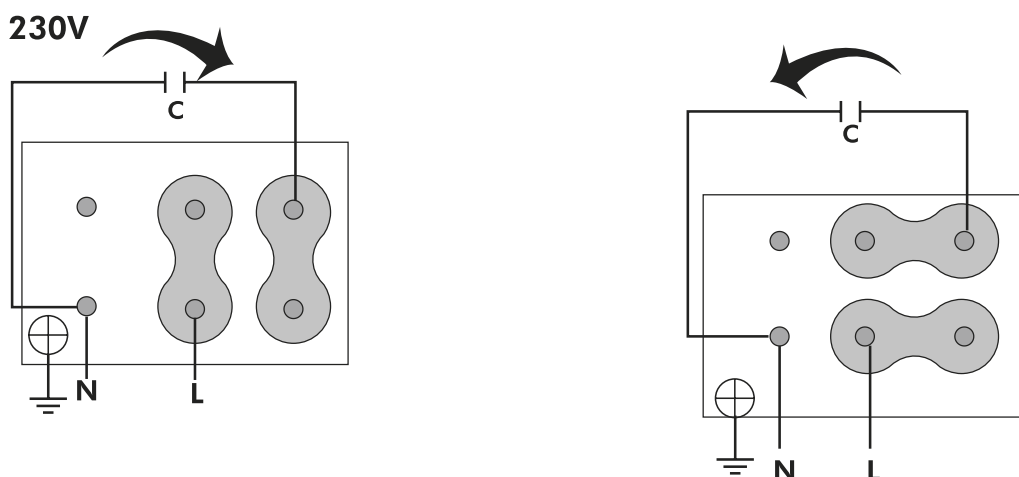
Fan							
RPM	1410	Approx. weight	9.7 kg	Max. Flow	900 m ³ /h		
Motor							
Power	0,25 kW	RPM	1410	Capacitor	12μF 450V	I max. (230V)	1,6 A
Size	71	Approx. weight	6.5 kg	Efficiency (%)	68,5 %	FP	0,99

DIMENSIONS



Dimensions (mm)									
A	115	B	158	C	133	D	200	E	114
F	120	G	133	I	134	L	190	S	110
V	22.5	Z	110	d	140	Ø	9x16		

WIRING DIAGRAM



ACCESSORIES



SAFETY SWITCH
INT 25 3P A
REF: INT253PA



STAINLESS STEEL INLET PROTECTION GUARD
FOR CENTRIFUGAL FANS
RAI 18/8
REF: 300716902



ACOUSTIC CABINS FOR CENTRIFUGAL FANS
AB (GENERIC)

SPARE PARTS

	Code	Model	Qty
4	720301126	MOTOR 0,25kW M4 B5 230V	x1